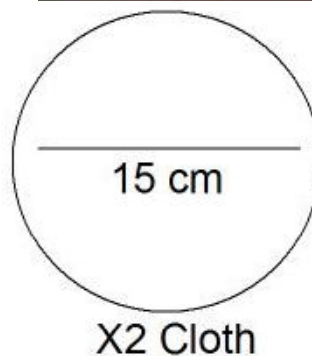
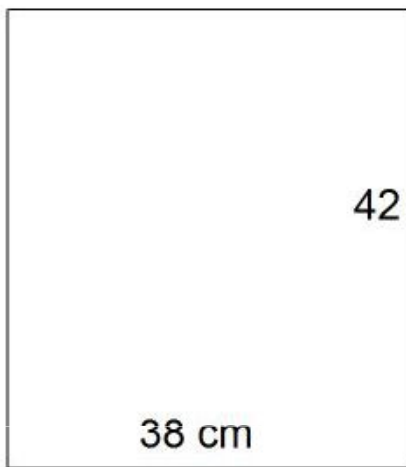




A crochet obsessive with a crush on ancient rome...
<http://littlegreen.typepad.com/romansock/>

The Munro is the simplest bag ever made. Named after the bonny hills (munros) of Scotland. When you climb a hill you call it 'bagging a munro'. So bag yourself one of these!



Cut 2 circles of a strong fabric, I used cord, with a diameter of 15cm.

Make yourself a lovely crocheted rectangle 38cm by 42cm. Do whatever you like! Granny squares, chevrons, plain ole' single crochet the list is endless.

I used an adapted chevron:

Repeats of 12 stiches + 1 and a two stitch turning chain to start.

(So essentially it is DC, DC, DC, (DC – First set only #), 2DC, 2DC, DC, DC, DC, DC2tog, DC2tog, then repeat from the beginning, but without the extra DC)

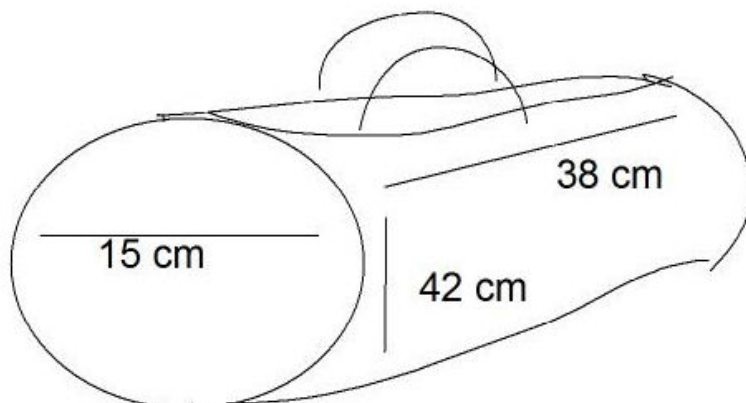
an extra DC is added in on the first set of DC's only ,on each row, to make sure the stitches are balanced.

In words: Double crochet in each of the next 3 chain stitches , then double crochet 2 together and double crochet two together again, double crochet in each of the next 3 chain stitches , 2 double crochets in the next chain and then 2 double crochets in the next chain again.
 repeat from *

I changed colour each row.



A crochet obsessive with a crush on ancient rome...
<http://littlegreen.typepad.com/romansock/>



Now all that's needed is to sew it up. I tacked everything up then hand sewed it .

I gathered up the edge of the side to give it a bit of shape and allow for expansion.

The handles I used were just interfaced strips secured to the base, made from the same material as the sides of the bag.

This bag definitely needs either a base (there is a description of how to do this in the Desiree Bag tutorial) or fully interfaced lining .

You could add a zip to secure, I have just used a couple of buttons.

